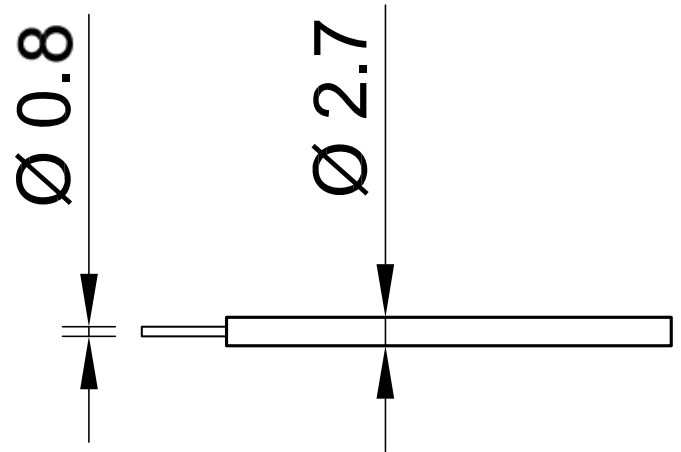


SILI-1V 0,50 SN



Item number 61.7642-*

Super flexible stranded wire 0,50 mm² (tinned) with reinforced insulation.

Technical data	
Rated Values	AC 1000 V, 12 A / DC 1500 V, 12 A
Standard color(s) *	21 22 23
Lead insulation	SIL
Temperature range	-50 °C ... +150 °C
Strand design (n x Ø mm)	129 x 0,07
Lead weight	10.0 kg/km
Conductor diameter	0.8 mm
Cable diameter	2.7 mm
Insulation thickness	0.95 mm
Approvals	UR, CE, UKCA, EAC