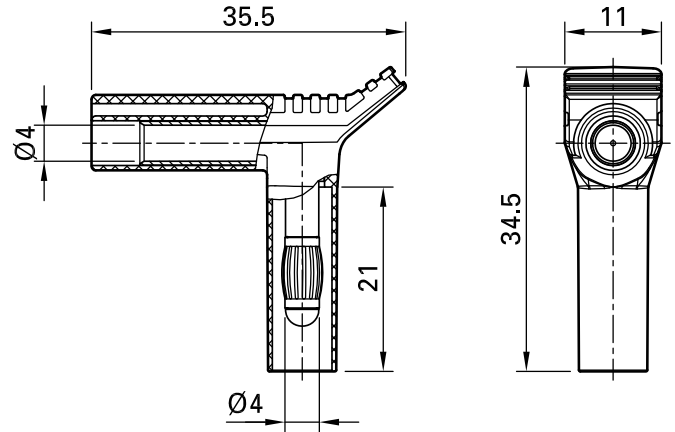


XWA-4/19



Item number 66.9694-*

Insulated, made of brass. Ø 4 mm plug with spring-loaded MULTILAM and with rigid insulating sleeve and Ø 4 mm rigid socket accepting spring-loaded Ø 4 mm plugs with rigid insulating sleeve. This right-angle plug adapter is suitable in particular for instruments with front panel sockets wher

re the lead can be fitted with the maximum of convenience.

Technical data	
Diameter of plug system	4 mm
Rated Values	1000 V, CAT II, 20 A
Surface treatment electrical contact	Ni
Base material electrical contact	CuZn
Standard color(s) *	21 22 23
Optional color(s)	24 25 26 27 29
Test accessory acc. to	IEC EN 61010-031
Approvals	CE