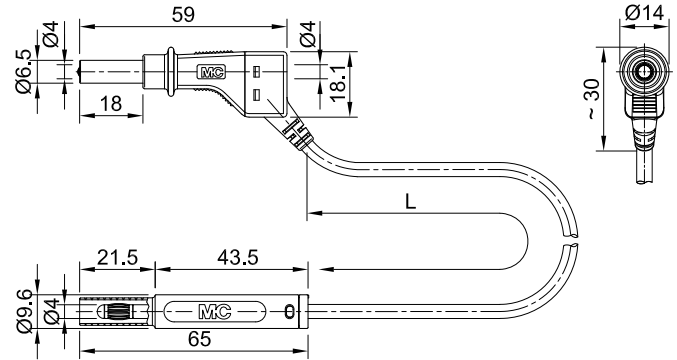


# SASK-4N-F10



Item number 66.1048-\*

Highly flexible One end with stackable Ø 4 mm MULTILAM plug with protective collar and retractable sleeve to prevent accidental touching especially suitable for connecting to electrical devices not (yet) equipped with safety sockets The other end with inline Ø 4 mm MULTILAM plug with rigid insulating sleeve, e.g

for connecting probes or test clips.

Technical data	
Diameter of plug system	4 mm
Rated Values	600 V, CAT II, 19 A
Surface treatment electrical contact	Ni
Base material electrical contact	CuZn
Standard color(s) *	<span style="background-color: black; color: white; padding: 2px;">21</span> <span style="background-color: red; color: white; padding: 2px;">22</span> <span style="background-color: blue; color: white; padding: 2px;">23</span>
Optional color(s)	<span style="background-color: green; color: white; padding: 2px;">20</span> <span style="background-color: yellow; color: black; padding: 2px;">24</span> <span style="background-color: purple; color: white; padding: 2px;">25</span> <span style="background-color: orange; color: white; padding: 2px;">26</span> <span style="background-color: brown; color: white; padding: 2px;">27</span> <span style="background-color: grey; color: white; padding: 2px;">28</span> <span style="background-color: white; color: black; padding: 2px;">29</span>
Lead lengths <input type="text"/>	100; 200 cm
Lead insulation	PVC
Lead cross section	1,0 mm <sup>2</sup>
Test accessory acc. to	IEC EN 61010-031
User-Information	I 073
Approvals	CE