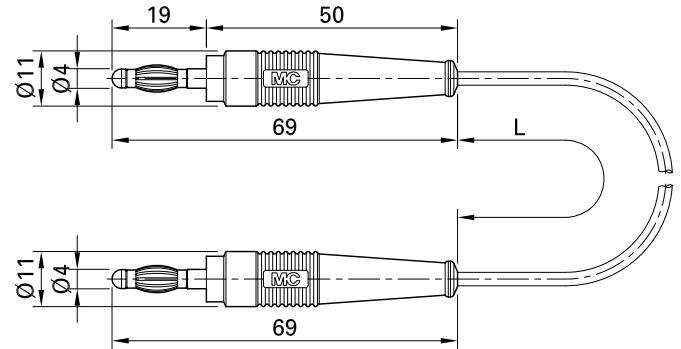


LK410L-41/A



Item number 64.1025- *

Highly flexible, with in-line Ø 4 mm MULTILAM plugs on both ends.

Technical data	
Diameter of plug system	4 mm
Rated Values	30 V, 19 A / 60 V, 19 A
Surface treatment electrical contact	Au
Base material electrical contact	CuZn
Standard color(s) *	<input type="checkbox"/> 20 <input type="checkbox"/> 21 <input type="checkbox"/> 22 <input type="checkbox"/> 23 <input type="checkbox"/> 24 <input type="checkbox"/> 25 <input type="checkbox"/> 26 <input type="checkbox"/> 27 <input type="checkbox"/> 28 <input type="checkbox"/> 29
Lead lengths <input type="text"/>	025; 050; 075; 100; 150; 200 cm
Lead insulation	PVC
Lead cross section	1,0 mm ²
Test accessory acc. to	IEC EN 61010-031
User-Information	I 096