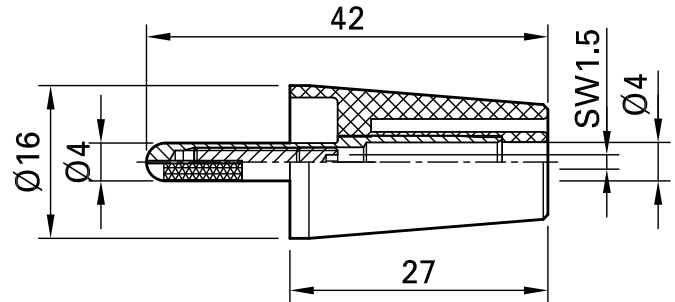
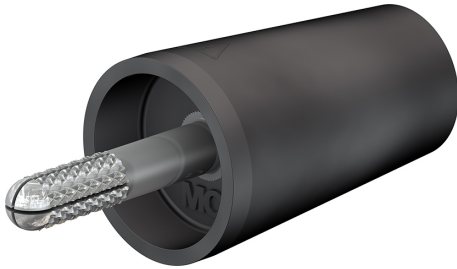


# A-SLK4-N



Item number 24.0161-\*

Adapter, made of brass can be screw-mounted into Ø 4 mm sockets. The expandable Ø 4 mm plug of this adapter can be locked into the socket by tightening the grub screw. Assembled, the adapter offers complete touch-proof protection. Ø 4 mm rigid socket in insulator accepting spring-loaded Ø 4

4 mm plugs with rigid insulating sleeve.

Technical data	
Diameter of plug system	4 mm
Rated Values	1000 V, CAT II, 32 A
Surface treatment electrical contact	Ni
Base material electrical contact	CuZn
Standard color(s) *	<span style="background-color: #ffff00; padding: 2px;">20</span> <span style="background-color: #ff0000; padding: 2px;">21</span> <span style="background-color: #ff00ff; padding: 2px;">22</span> <span style="background-color: #0000ff; padding: 2px;">23</span> <span style="background-color: #00ff00; padding: 2px;">24</span> <span style="background-color: #00ff99; padding: 2px;">25</span> <span style="background-color: #9900ff; padding: 2px;">26</span> <span style="background-color: #ff9900; padding: 2px;">27</span> <span style="background-color: #cccccc; padding: 2px;">28</span> <span style="border: 1px solid black; padding: 2px;">29</span>
Test accessory acc. to	IEC EN 61010-031
User-Information	I 010
Remarks	Accessories: Hexagon wrench STS1,5