

Electrical grounding hinge

Railway | Single-pole industrial connectors

EN



Electrical grounding hinge – EGH

The lower part of the hinge is mounted on the cabinet, and the upper part on the door.

The pivot connection is made by a pin Ø 6 mm. In addition to the mechanical pivot function of a hinge, the EGH also provides an electrical ground connection between the door and the cabinet. Continuity is maintained between the cabinet/hinge, hinge/door interfaces and also the hinge pivot by the use of MULTILAM.

The EGH replaces the ground braid between the door and the cabinet, it facilitates easier removal of the door and guarantees reconnection of the ground on reassembly.

IP66 protection is ensured by flat gaskets on the interfaces of the hinge to the door and cabinet and by an O-ring on the pivot.

Application

- For use in an outdoor environment
- For indoor applications
- On stainless steel or aluminium cabinet
- Other cabinet material: on request

Advantages

- Replaces the conventional hinge and the ground braid between the moving door and the cabinet.
- Integration in confined environments with limited space
- Quick and easy maintenance (mounting and dismantling)
- Improved impedance of the door compared to braid solution
- Enhanced EMC effectiveness

Maintenance

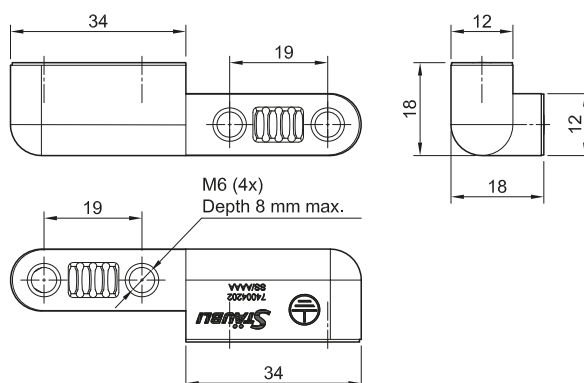
The EGH06 is equipped with seals to protect the active parts from any external pollution and does not require any maintenance or lubrication.

General data	
Operating current according IEC 61439-1	100 A
I _{cc} /1 s	1.4 kA
I _{cc} /2 s	0.94 kA
I _{peak}	4.7 kA
Ambient temperature range	-40...+70 °C
Allowable charge per hinge	250 kg
Degree of protection, mated	IP66
Withstand to salt mist spray	500 h
Open/Close cycles	15,000 Cycles
Door mounting/unmounting	500 Cycles

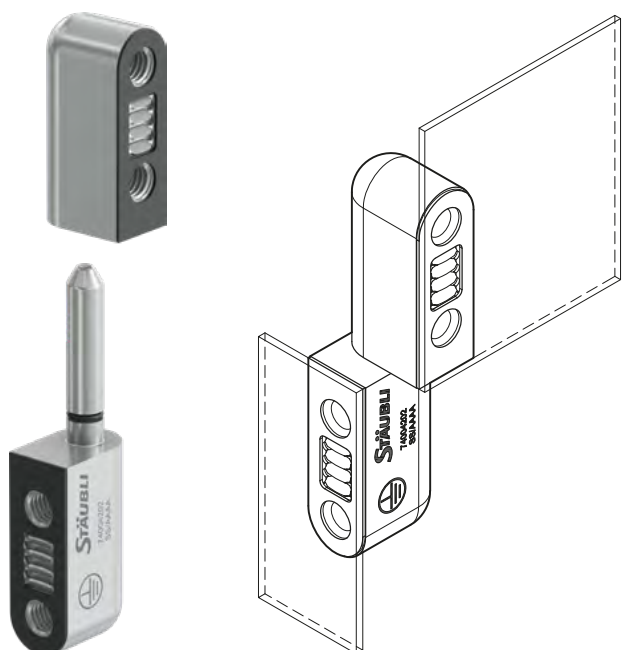
Electrical grounding hinge EGH

The EGH must be mounted in the same way as a traditional hinge.

EGH



Order No.	Type	Description
19.0303	EGH-061/SS	Grounding hinge with plug side and socket side for stainless steel surfaces
19.0304	EGH-061/AA	Grounding hinge with plug side and socket side for aluminium alloy surfaces (eg. AlMgSi0,5 – EN-AW6060).
19.0305	EGH-061/SA	Grounding hinge with plug side for stainless steel surface and socket side for aluminium alloy surface
19.0306	EGH-061/AS	Grounding hinge with plug side for aluminium alloy surface and socket side for stainless steel surface



Assembly instructions MA089

www.staubli.com/electrical



● Stäubli Units ○ Representatives/Agents

Global presence of the Stäubli Group

www.staubli.com