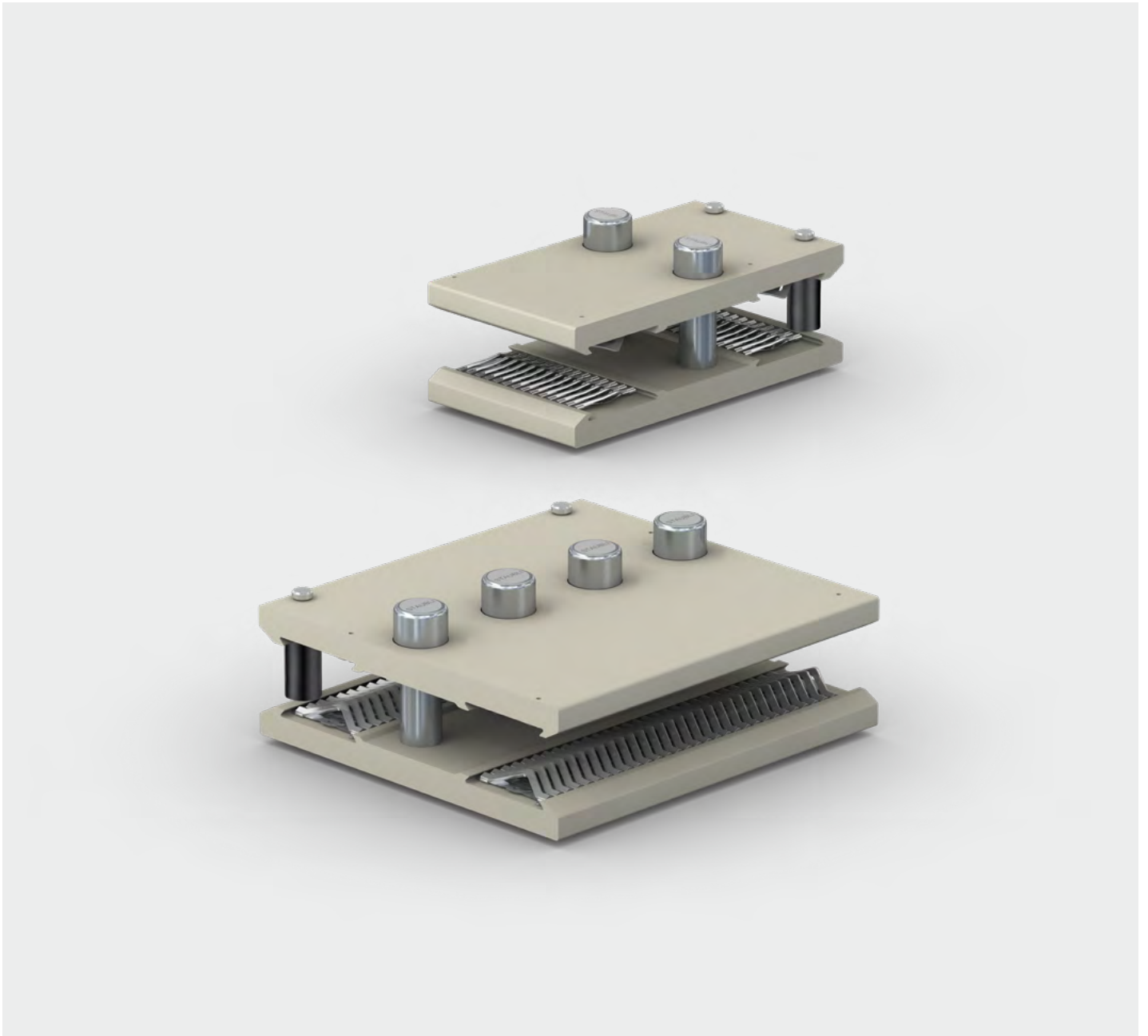


# High power fork plug HP-GSRD

**Power transmission and distribution | Single-pole industrial connectors** EN



## STÄUBLI ELECTRICAL CONNECTORS

## Connections for Life



**Stäubli, as the international technology leader, offers innovative mechatronics solutions in its four divisions: Electrical Connectors, Fluid Connectors, Robotics, and Textile. At Stäubli Electrical Connectors, we develop advanced connection solutions based on the reliable MULTILAM contact technology.**

#### Together for reliable and safe connections

We know that you entrust us with the functionality of your applications and we work hard to ensure this every single day. Thanks to our high level of expertise, our extensive experience and the multiple successful co-operation with our partners, numerous new developments have originated at Stäubli Electrical Connectors and subsequently have become worldwide standards. This includes our MC4 connector portfolio for which we are today the global market

We create connections for life – and our customers are at the center of these connections. We are convinced that solid and stable partnerships directly contribute to our mutual success.

We take on the needs of our partners and deal with the most extraordinary challenges. As a result, we always create, sell and

support reliable and long-lasting products for markets with the highest productivity and safety requirements in close cooperation with our customers.

leader in photovoltaic. As the Stäubli original, the MC4 represents the result of our constant quest for innovation, quality and safety.

Further examples are the CombiTac modular connector system or the Quick Charging Connector (QCC) for automatic charging systems.

We ensure connections for life together with our long-standing customers in a wide range of industries from renewable energies, power transmission and distribution and E-mobility to industrial automation applica-

tions, railway and welding automation, test and measurement and medical devices.

Thus, developing reliable, efficient and safe solutions based on our proven MULTILAM contact technology, which guarantees a high service lifetime in addition to highly efficient power transmission.

UNLIMITED POSSIBILITIES FOR CONTACT SOLUTIONS

MULTILAM Technology



**MULTILAM** are specially formed and resilient contact elements. All Stäubli Electrical Connectors products benefit from the unique and outstanding performance of the **MULTILAM Technology**.

Thanks to their constant spring pressure, MULTILAM louvers ensure continuous contact with the contact surface, resulting in a constantly low contact resistance.

MULTILAM Technology allows to find solutions for connectors within the severest constraints and in certain products for up to 1 million mating cycles.

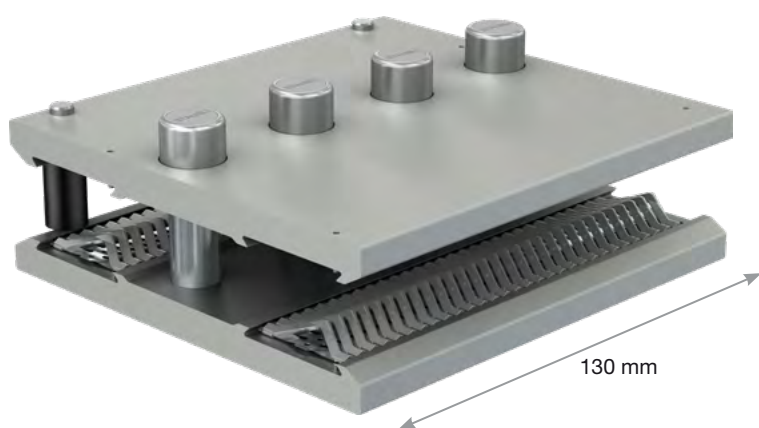
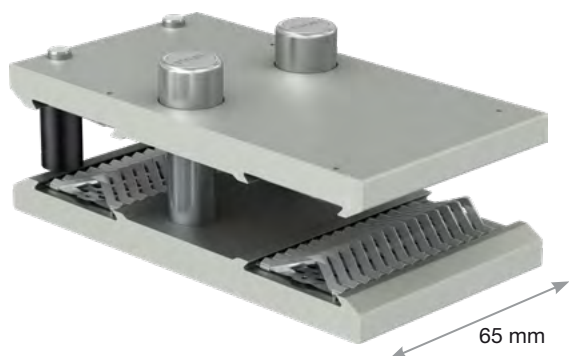
This makes the MULTILAM Technology the best choice for applications with demanding requirements:

- Reliable and longlife operation due to constantly high performance
- Safe operation under highest environmental demands on temperature, vibration and shock
- Suitable for data and signal contacts as well as high-current connectors
- Automated solutions with a high number of mating cycles



**INTRODUCTION**

# Double fork plug HP-GSRD...



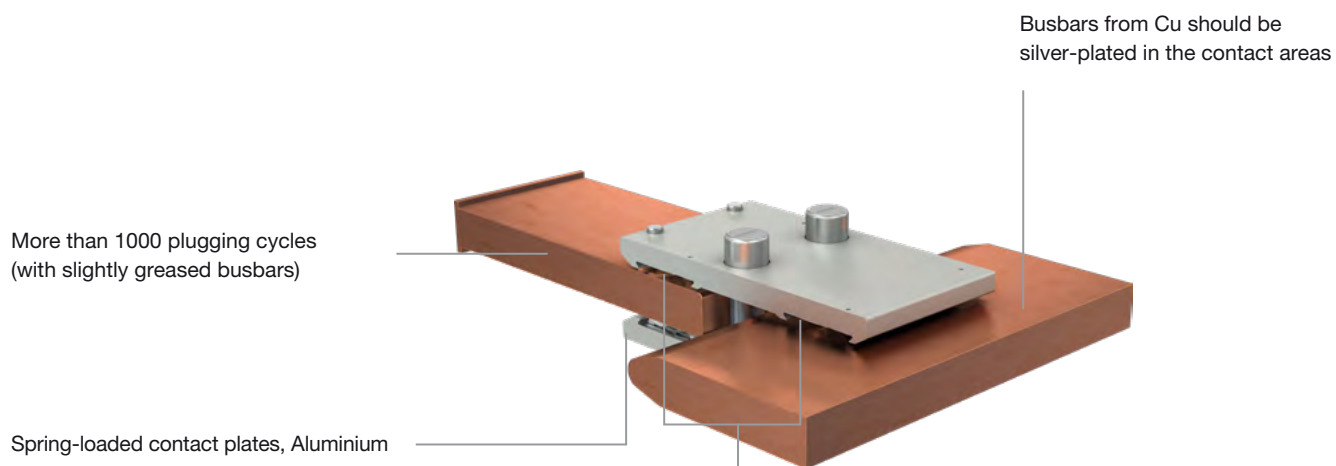
3

**Standard versions**

(Special double fork plugs can be supplied in non-standard widths and thicknesses on request)

**RoHS ready**

Directive 2002/95/EC on the restriction of the use of certain hazardous substances in electrical and electronic equipment



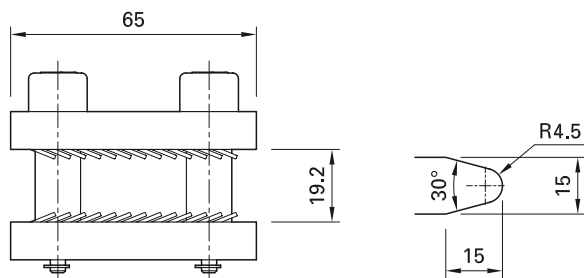
**MULTILAM**



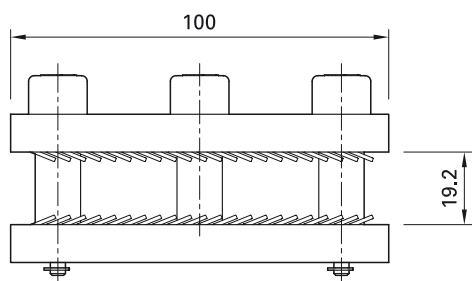
For busbar thicknesses of 15 mm  
(Special double fork plugs can be supplied  
in non-standard widths and thicknesses on  
request)



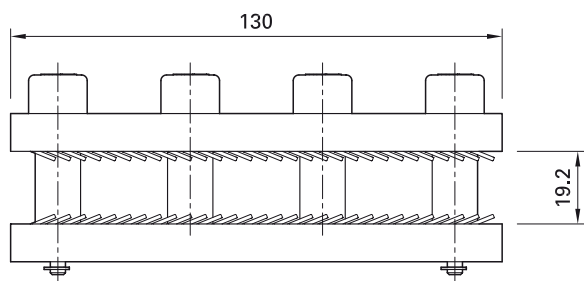
# Standard versions



HP-GSRD...65



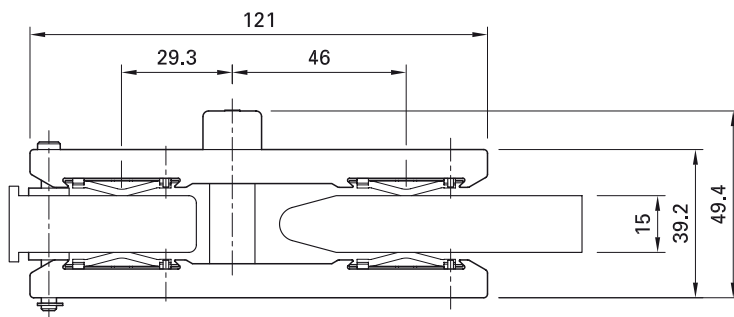
HP-GSRD...100



HP-GSRD...130

**Drilling plan**

Type	Sizes (mm)
	A
HP-GSRD...65	40
HP-GSRD...100	75
HP-GSRD...130	105



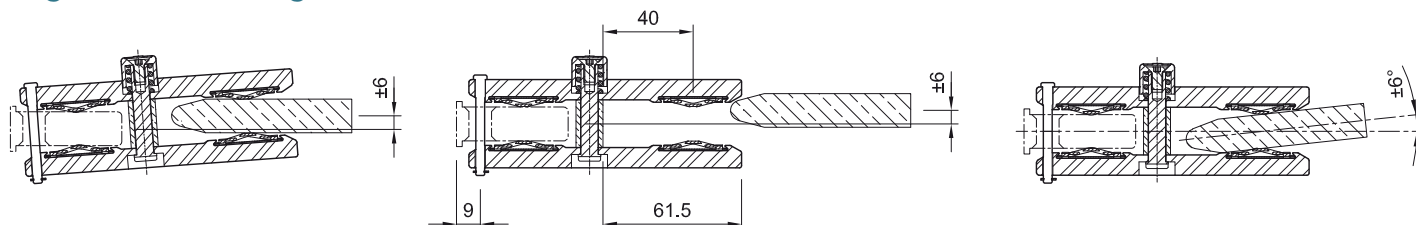
ill.	Order No.	Type	For thickness of busbar	Fork plug length	Insertion force (µr 0,35)	Contact resistance <sup>1)</sup>	Rated current <sup>1) 2)</sup>	Rated current <sup>1) 3)</sup>	Short-circuit current <sup>1)</sup>	Rated peak withstand current
			mm	mm	N	µΩ	A	A	kA (1s)	kA
1	19.9050-065	HP-GSRD15-65	15	65	75	50	1000	500	9	25
2	19.9050-100	HP-GSRD15-100	15	100	115	33	1500	750	17	45
3	19.9050-130	HP-GSRD15-130	15	130	150	25	2000	1200	25	65

<sup>1)</sup> Data valid with silver plated contact areas on copper busbars

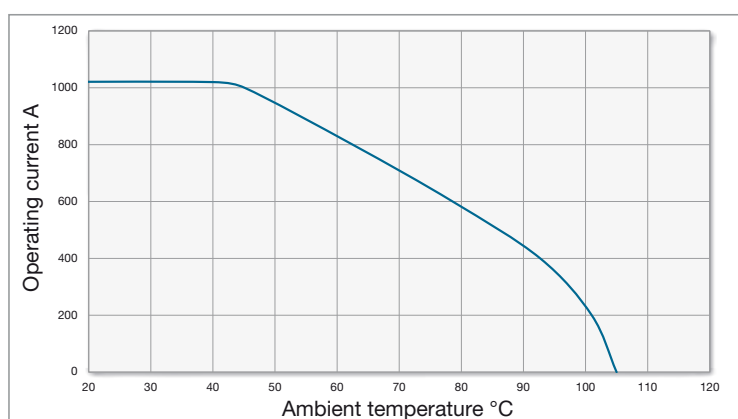
<sup>2)</sup> Fork plug temperature 105 °C (Ambient temperature 35 °C)

<sup>3)</sup> Fork plug temperature 65 °C (Ambient temperature 35 °C)

## Alignment and angular tolerances

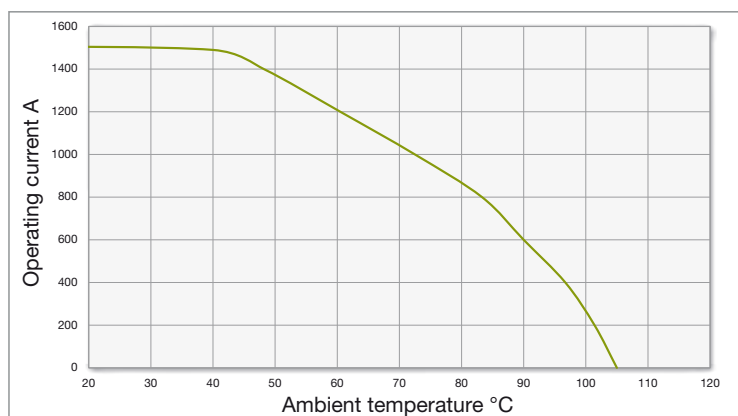


## Derating diagrams



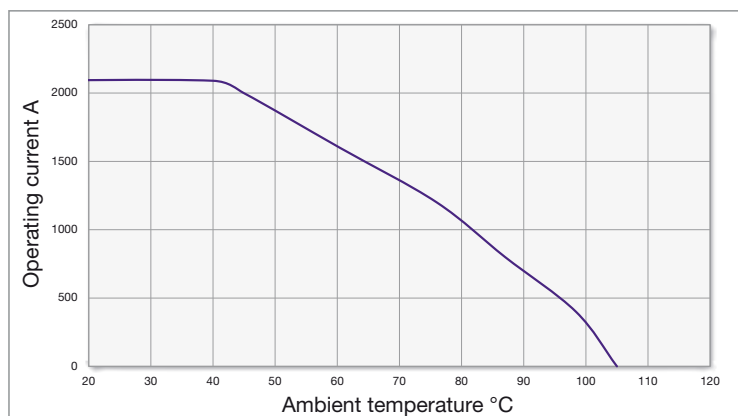
### HP-GSRD15-65

Derating according to EN 60512-5-2 (2002) with max temperature 105°C



### HP-GSRD15-100

Derating according to EN 60512-5-2 (2002) with max temperature 105°C



### HP-GSRD15-130

Derating according to EN 60512-5-2 (2002) with max temperature 105°C



● Stäubli Units    ○ Representatives/Agents

# Global presence of the Stäubli Group

[www.staubli.com](http://www.staubli.com)