

Multipole connectors for harsh environments

Powerline | Industrial connectors

EN



Fields of application

Harsh environmental conditions present difficult challenges in terms of the design of all the equipment. Electrical connectors must work reliably and uninterruptedly in everyday use in order to guarantee perfect

operation. Stäubli connectors for harsh environments meet these requirements.

The established Stäubli MULTILAM technology guarantees for maximum dependability at low resistances and therefore extremely

low energy loss and low insertion force despite multiple electrical contacts.



Railway applications

Electrical connectors used in the railway industry are subject to extremely harsh environmental conditions on a daily basis. Strong temperature fluctuations (e.g. snow and ice in alpine areas), high mechanical strain, vibration, and contamination cannot be allowed to impact the reliability of power, signal and data transfer.

Stäubli has developed a sturdy casing, the handle that can even withstand blows from a hammer when opening. Stäubli MULTILAM contact technology ensures a continuous electrical connection, even in the event of strong vibration or temperature fluctuations. The 15° outlet angle of the plug reduces mechanical strain on the cable and simplifies actuating the connection.

Mining applications

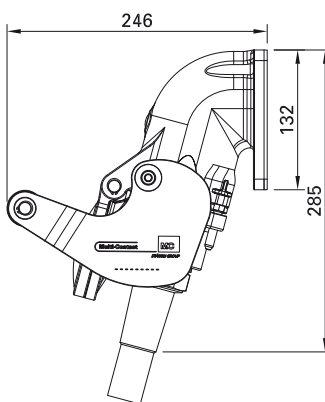
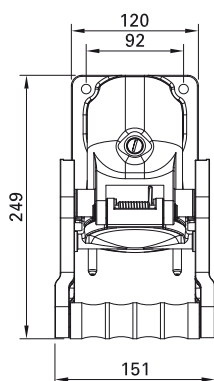
Stäubli provides reliable solutions that can withstand specific environmental conditions above and below ground, including dust and shock impacts, and thus guarantee uninterrupted operation. We pride ourselves in customer-specific applications tailored to your technical needs. Because of that, our contact technology can be used, not only in removing machines (e.g. diggers, drilling machines), but also in transport and further-processing systems (e.g. grinding machines, sorting, washing systems).

Marine applications

In ports and on ships, connectors are exposed to sea water, and the salt content of the air is higher than in most other areas. Long-term use in this kind of environment requires not only waterproof characteristics but also a particularly sturdy casing. Stäubli connectors for harsh environments meet these requirements and can be fitted with different contacts based on customer requirements. The connectors can meet a range of different requirements in the port and the offshore sector.

Technical data

General data	
Rated voltage	up to 1000 V
Degree of protection, mated unmated	IP65, IP69 IP2X
Grounding	from DC 50 V / 75 V planned
Ø Cable gland	M50
Housing material	Al (powder-coated)
Mounting, pin side socket side	Panel mounting float mounting



Customer-specific configurations upon request





● Stäubli Units ○ Representatives/Agents

Global presence of the Stäubli Group

www.staubli.com